



## VRLA Rechargeable Battery

# BC35-12 Standard Type



### FEATURES

- Maintenance free(no water topping-up required)
- No free acid(Non-spillable battery)
- Can be used in any orientation(excluding used inverted)
- Absorbent Glass Mat technology for efficient gas recombination



### APPLICATIONS

- UPS
- Wheelchairs
- Electronic Medical Equipment

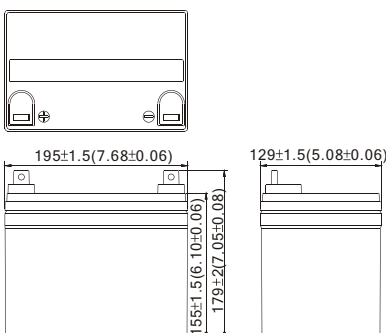
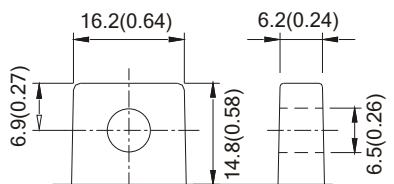


### SPECIFICATIONS

Nominal Voltage	12 V
Nominal Capacity	35.0Ah @ 20 hour rate F.V.(1.75V/cell)
Approx. Weight	9.6Kg(21.16lbs.)
Terminals	B7 (Fitting M6 bolt & nut)
Internal Resistance	≤ 13mΩ (Fully Charged )
Max. Discharge Current	350 A (5 sec.)
Max. Charge Current	10.5 A
Operating Temperature Range	Charge : 0°C~40°C(32°F~104°F) Discharge : -20°C~50°C(-4°F~122°F) Storage. : -20°C~40°C(-4°F~104°F)
Container Material	Standard: ABS( UL94 HB) BC35-12 Optional: Flame Retardant ABS(UL94 V-0) BC35-12FR

  
 MH19884  
  
  
 C4M20310-2474-E-16

- IEC 61056-1
- JIS C 8702-1
- GB/T 19639.1

DIMENSION(mm/inch)	OUTER DIMENSIONS	TERMINAL TYPE
<b>■ Length</b> 195±1.5 (7.68±0.06) <b>■ Width</b> 129±1.5 (5.08±0.06) <b>■ Container Height</b> 155±1.5 (6.10±0.06) <b>■ Total Height</b> 179±2.0 (7.05±0.08)		<p>● Terminal B7</p>  <p>[M6 BOLT &amp; NUT] Terminal Hardware Initial Torque: B7 (5.5Nm±5%)</p>

### Constant power discharge characteristics at 25 °C/77 °F Unit: W

F.V. (V/cell) \ Discharge Time	5 Min	10 Min	15 Min	30 Min	1 Hr	3 Hr	5 Hr	10 Hr	20 Hr
1.80V	880	717	586	397	249.7	102.0	70.3	39.33	20.67
1.75V	988	777	612	412	257.2	104.1	71.4	39.92	21.00
1.70V	1082	804	631	421	261.8	105.0	71.8	40.08	21.08
1.65V	1130	824	646	427	264.8	105.7	72.0	40.25	21.17
1.60V	1168	841	658	432	267.6	106.4	72.3	40.25	21.17

### Constant current discharge characteristics at 25 °C/77 °F Unit: A

F.V. (V/cell) \ Discharge Time	5 Min	10 Min	15 Min	30 Min	1 Hr	3 Hr	5 Hr	10 Hr	20 Hr
1.80V	80.1	64.7	52.3	33.9	21.00	8.50	5.83	3.25	1.67
1.75V	91.6	70.1	54.8	35.3	21.58	8.67	5.92	3.33	1.75
1.70V	100.3	72.6	56.4	36.1	22.00	8.75	6.00	3.33	1.75
1.65V	106.8	75.8	57.8	36.6	22.25	8.83	6.00	3.33	1.75
1.60V	112.4	78.7	58.8	36.9	22.50	8.83	6.00	3.33	1.75

All data and artworks shall be changed without prior notice, BB reserves the right to explain and update the information contained hereinto.